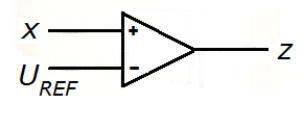
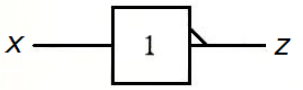
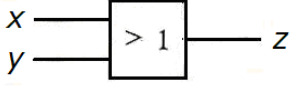
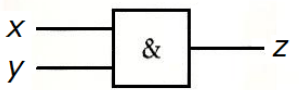
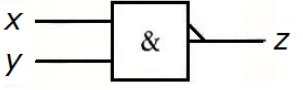
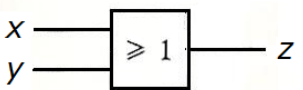
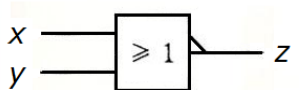


SIGNAALVERWERKERS
 (Logische poorten, digitale poorten)
 Zie Binas 17C

<p>Comparator</p> <table style="display: inline-table; border-collapse: collapse; margin-right: 20px;"> <thead> <tr> <th style="border-right: 1px solid black; padding: 5px;">x</th> <th style="padding: 5px;">z</th> </tr> </thead> <tbody> <tr> <td style="border-right: 1px solid black; padding: 5px;">$< U_{REF}$</td> <td style="padding: 5px;">0</td> </tr> <tr> <td style="border-right: 1px solid black; padding: 5px;">$> U_{REF}$</td> <td style="padding: 5px;">1</td> </tr> </tbody> </table> 	x	z	$< U_{REF}$	0	$> U_{REF}$	1																									
x	z																														
$< U_{REF}$	0																														
$> U_{REF}$	1																														
<p>Invertor</p> <table style="display: inline-table; border-collapse: collapse; margin-right: 20px;"> <thead> <tr> <th style="border-right: 1px solid black; padding: 5px;">x</th> <th style="padding: 5px;">z</th> </tr> </thead> <tbody> <tr> <td style="border-right: 1px solid black; padding: 5px;">0</td> <td style="padding: 5px;">1</td> </tr> <tr> <td style="border-right: 1px solid black; padding: 5px;">1</td> <td style="padding: 5px;">0</td> </tr> </tbody> </table> 	x	z	0	1	1	0	<p>XOF-poort</p> <table style="display: inline-table; border-collapse: collapse; margin-right: 20px;"> <thead> <tr> <th style="border-right: 1px solid black; padding: 5px;">x</th> <th style="border-right: 1px solid black; padding: 5px;">y</th> <th style="padding: 5px;">z</th> </tr> </thead> <tbody> <tr> <td style="border-right: 1px solid black; padding: 5px;">0</td> <td style="border-right: 1px solid black; padding: 5px;">0</td> <td style="padding: 5px;">0</td> </tr> <tr> <td style="border-right: 1px solid black; padding: 5px;">0</td> <td style="border-right: 1px solid black; padding: 5px;">1</td> <td style="padding: 5px;">1</td> </tr> <tr> <td style="border-right: 1px solid black; padding: 5px;">1</td> <td style="border-right: 1px solid black; padding: 5px;">0</td> <td style="padding: 5px;">1</td> </tr> <tr> <td style="border-right: 1px solid black; padding: 5px;">1</td> <td style="border-right: 1px solid black; padding: 5px;">1</td> <td style="padding: 5px;">0</td> </tr> </tbody> </table> 	x	y	z	0	0	0	0	1	1	1	0	1	1	1	0									
x	z																														
0	1																														
1	0																														
x	y	z																													
0	0	0																													
0	1	1																													
1	0	1																													
1	1	0																													
<p>EN-poort</p> <table style="display: inline-table; border-collapse: collapse; margin-right: 20px;"> <thead> <tr> <th style="border-right: 1px solid black; padding: 5px;">x</th> <th style="border-right: 1px solid black; padding: 5px;">y</th> <th style="padding: 5px;">z</th> </tr> </thead> <tbody> <tr> <td style="border-right: 1px solid black; padding: 5px;">0</td> <td style="border-right: 1px solid black; padding: 5px;">0</td> <td style="padding: 5px;">0</td> </tr> <tr> <td style="border-right: 1px solid black; padding: 5px;">0</td> <td style="border-right: 1px solid black; padding: 5px;">1</td> <td style="padding: 5px;">0</td> </tr> <tr> <td style="border-right: 1px solid black; padding: 5px;">1</td> <td style="border-right: 1px solid black; padding: 5px;">0</td> <td style="padding: 5px;">0</td> </tr> <tr> <td style="border-right: 1px solid black; padding: 5px;">1</td> <td style="border-right: 1px solid black; padding: 5px;">1</td> <td style="padding: 5px;">1</td> </tr> </tbody> </table> 	x	y	z	0	0	0	0	1	0	1	0	0	1	1	1	<p>NEN-poort</p> <table style="display: inline-table; border-collapse: collapse; margin-right: 20px;"> <thead> <tr> <th style="border-right: 1px solid black; padding: 5px;">x</th> <th style="border-right: 1px solid black; padding: 5px;">y</th> <th style="padding: 5px;">z</th> </tr> </thead> <tbody> <tr> <td style="border-right: 1px solid black; padding: 5px;">0</td> <td style="border-right: 1px solid black; padding: 5px;">0</td> <td style="padding: 5px;">1</td> </tr> <tr> <td style="border-right: 1px solid black; padding: 5px;">0</td> <td style="border-right: 1px solid black; padding: 5px;">1</td> <td style="padding: 5px;">1</td> </tr> <tr> <td style="border-right: 1px solid black; padding: 5px;">1</td> <td style="border-right: 1px solid black; padding: 5px;">0</td> <td style="padding: 5px;">1</td> </tr> <tr> <td style="border-right: 1px solid black; padding: 5px;">1</td> <td style="border-right: 1px solid black; padding: 5px;">1</td> <td style="padding: 5px;">0</td> </tr> </tbody> </table> 	x	y	z	0	0	1	0	1	1	1	0	1	1	1	0
x	y	z																													
0	0	0																													
0	1	0																													
1	0	0																													
1	1	1																													
x	y	z																													
0	0	1																													
0	1	1																													
1	0	1																													
1	1	0																													
<p>OF-poort</p> <table style="display: inline-table; border-collapse: collapse; margin-right: 20px;"> <thead> <tr> <th style="border-right: 1px solid black; padding: 5px;">x</th> <th style="border-right: 1px solid black; padding: 5px;">y</th> <th style="padding: 5px;">z</th> </tr> </thead> <tbody> <tr> <td style="border-right: 1px solid black; padding: 5px;">0</td> <td style="border-right: 1px solid black; padding: 5px;">0</td> <td style="padding: 5px;">0</td> </tr> <tr> <td style="border-right: 1px solid black; padding: 5px;">0</td> <td style="border-right: 1px solid black; padding: 5px;">1</td> <td style="padding: 5px;">1</td> </tr> <tr> <td style="border-right: 1px solid black; padding: 5px;">1</td> <td style="border-right: 1px solid black; padding: 5px;">0</td> <td style="padding: 5px;">1</td> </tr> <tr> <td style="border-right: 1px solid black; padding: 5px;">1</td> <td style="border-right: 1px solid black; padding: 5px;">1</td> <td style="padding: 5px;">1</td> </tr> </tbody> </table> 	x	y	z	0	0	0	0	1	1	1	0	1	1	1	1	<p>NOF-poort</p> <table style="display: inline-table; border-collapse: collapse; margin-right: 20px;"> <thead> <tr> <th style="border-right: 1px solid black; padding: 5px;">x</th> <th style="border-right: 1px solid black; padding: 5px;">y</th> <th style="padding: 5px;">z</th> </tr> </thead> <tbody> <tr> <td style="border-right: 1px solid black; padding: 5px;">0</td> <td style="border-right: 1px solid black; padding: 5px;">0</td> <td style="padding: 5px;">1</td> </tr> <tr> <td style="border-right: 1px solid black; padding: 5px;">0</td> <td style="border-right: 1px solid black; padding: 5px;">1</td> <td style="padding: 5px;">0</td> </tr> <tr> <td style="border-right: 1px solid black; padding: 5px;">1</td> <td style="border-right: 1px solid black; padding: 5px;">0</td> <td style="padding: 5px;">0</td> </tr> <tr> <td style="border-right: 1px solid black; padding: 5px;">1</td> <td style="border-right: 1px solid black; padding: 5px;">1</td> <td style="padding: 5px;">0</td> </tr> </tbody> </table> 	x	y	z	0	0	1	0	1	0	1	0	0	1	1	0
x	y	z																													
0	0	0																													
0	1	1																													
1	0	1																													
1	1	1																													
x	y	z																													
0	0	1																													
0	1	0																													
1	0	0																													
1	1	0																													